



11-17 POWERSCROFT ROAD
SIDCUP, KENT. DA14 5NH

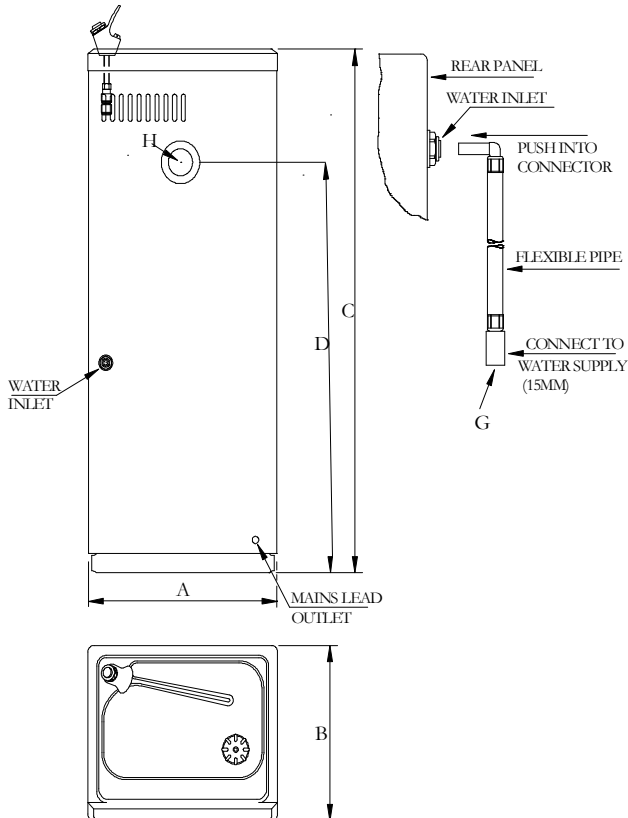
Tel: GB: +44 (0) 208 302 4035
Fax: GB: +44 (0) 208 302 8933



TECHNICAL DATA SHEET MAJESTIC SERIES

MODEL SMJ 409

REAR VIEW



SMJ409 will provide 40.8 litres per hour of cooled water at 10°C (50°F).

SERVICES:

Electrical: 220/240V, AC 50Hz single phase
SMJ 6 FLA 1.18A LRA 7.9A
SMJ409 FLA 1.5A LRA 11.6A

Plumbing:

A flexible hose is supplied to connect machine to water supply allowing easy access for maintenance.
Hose end fitting is 15mm. plain. Waste 32mm.
A stop cock should be fitted to the supply line.
Prior to installing the machine ensure mains water supply pipe is thoroughly flushed.

THERMOSTAT SETTING:

Recommended 10°C

INSTALLATION:

For best performance, avoid placing in direct sunlight or immediately adjacent to heating appliance. Allow 100mm airspace around unit for adequate ventilation.

We recommend that an anti-flood device should be fitted by the installer, available from Maestro as an option.

CAUTION:

UNIT **NOT** TO BE USED IN OPEN AIR, EXPOSED TO RAIN, IN HIGH HUMIDITY OR WET AREAS I.E BY SWIMMING POOLS, SHOWERS OR SAUNAS ETC.

IMPORTANT:

Unit should be in an upright position for 24 hours prior to being switched on.

PACKAGING:

Dimensions: 1150 x 410 x 380 mm
Weight: 32 kgs.

VALVE DETAILS OVERLEAF

A=385 B=320 C=955 D=840 E=730 F=190
G=Inlet 15mm. **H=bottle trap waste multifit 32mm (1 1/4")**

WATER SYSTEM:

Insulated tank with two membranes of metal between refrigerant and water systems.

WATER PRESSURE:

Min 1.4 Kg./cm²(20 p.s.i.) Max 5.6 kg/cm² (80 p.s.i.)
A regulator should be installed where extreme pressures exist.

CONNECT TO POTABLE WATER SUPPLY ONLY

REFRIGERATION SYSTEM:

MAESTROPAC® slip-in unit designed for ease of servicing and replacement.

Condenser is fan cooled using a permanently lubricated motor. Hermetically sealed compressor with resetting type overload protector. Capillary controlled with ozone-friendly R134A refrigerant. Manufactured with a fixed Maestro pac®.

