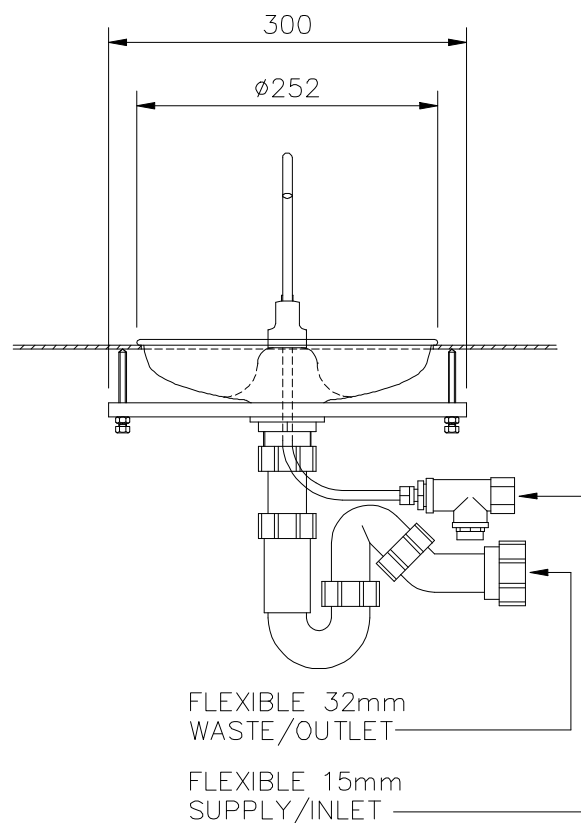
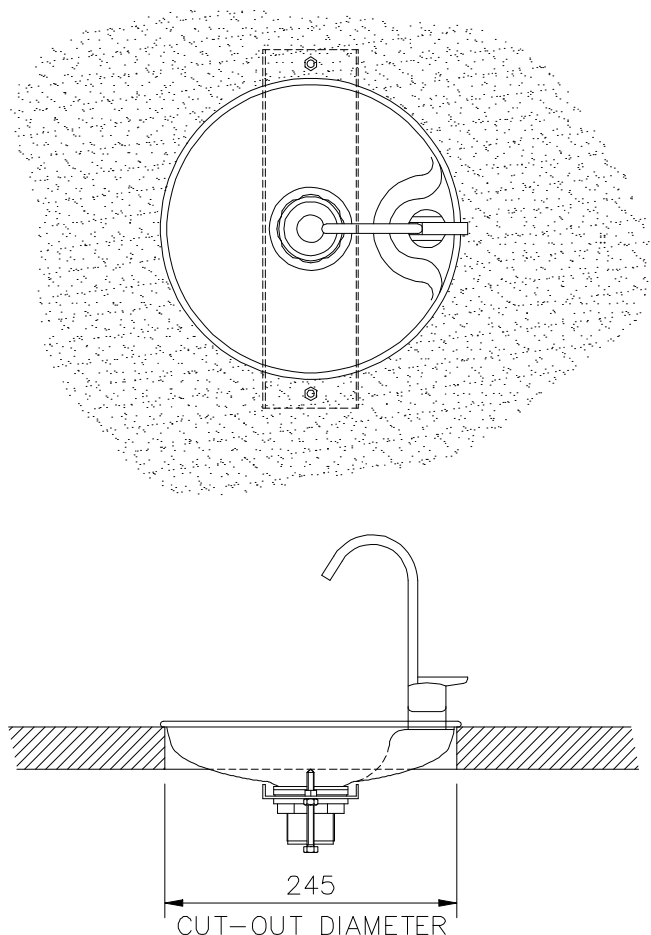




11-17 POWERSCROFT ROAD
SIDCUP, KENT. DA14 5NH
Tel: GB: +44 (0) 208 302 4035
Fax: GB: +44 (0) 208 302 8933

Technical Data Sheet



DRINKING FOUNTAIN MODEL DF40

A stainless steel drinking fountain and glass filler for mounting into counter top. With the option of fitting a heavy chrome plated push button type self-regulating bubbler instead of the glass filler. It is easily installed and can ideally be connected to a remote Hide-Away unit.

CONSTRUCTION:

Finished in brushed stainless steel with a simple clamping mechanism to suite most surface thicknesses (2mm to 45 mm).

SERVICES:

Water inlet: 15mm (1/2" BSP) brass line strainer.

Waste: 32mm multi-fit trap.

PACKAGING:

Dimensions: 340 x 340 x 130 mm

Weight: 3.5 kgs.

