

Product Specification

UK Model No. - FLF130PM

GPH – 1 US Gallon = 3.7 litres

Pressure Coolers Ltd.

Unit 30, Bourne Industrial Park, Bourne Road, Crayford, Kent DA1 4BZ

Tel : 01322 528888

Fax : 01322 521828

info@pressurecoolers.co.uk

Model

- ❑ FLF130PM is a non-refrigerated semi-recessed stainless steel drinking fountain for direct connection to a cold water supply or for use with remote water chillers.

Standard Features

- Waterways Are Lead-Free In Materials & Construction
- Stainless Steel Surfaces
- Single Push Button Keeps Water Flowing While Button Is Depressed
- Anti-Splash Ridge and Integral Strainer Grid
- Bottom Cover Plate
- Limited 1-Year Warranty

Installation

- Prior to roughing-in, consult with local, state, and federal codes.
- Shipped with complete instructions and wall mounting bracket.

Colors

- ❑ Standard Cabinet Finish: Stainless Steel
- ❑ Optional finish at extra cost: Regency Bronze

Oasis® is a registered trademark of OASIS Corporation.

**DRINKING FOUNTAINS
SIMULATED
SEMI-RECESSED**



Model FLF130PM Shown



Limited 1-Year Warranty (Continental limits of the United States and Canada): One year from date of installation on parts only. Detailed warranty certificate enclosed with each drinking fountain; sample copy available upon request.

Components in this drinking fountain are lead free as defined by the Safe Drinking Water Act Amendments of 1986, and the Lead Contamination Control Act of 1988.



Model covered by these specifications complies with all known Plumbing Codes. Certified by Canadian Standards Association.

Export Warranty: One year on component parts. Detailed warranty certificate enclosed with each drinking fountain, sample copy available upon request.

Specifications are subject to change without notice.

Copyright 1999 OASIS Corporation

Model	Style	Physical Dimensions In Inches			Extended From Wall	Net Weight (Approx.)
		Height	Width	Depth		
FLF130PM	Simulated Semi-Recessed	27-3/4	17-5/16	9-1/2	9-1/2	13 Lbs.

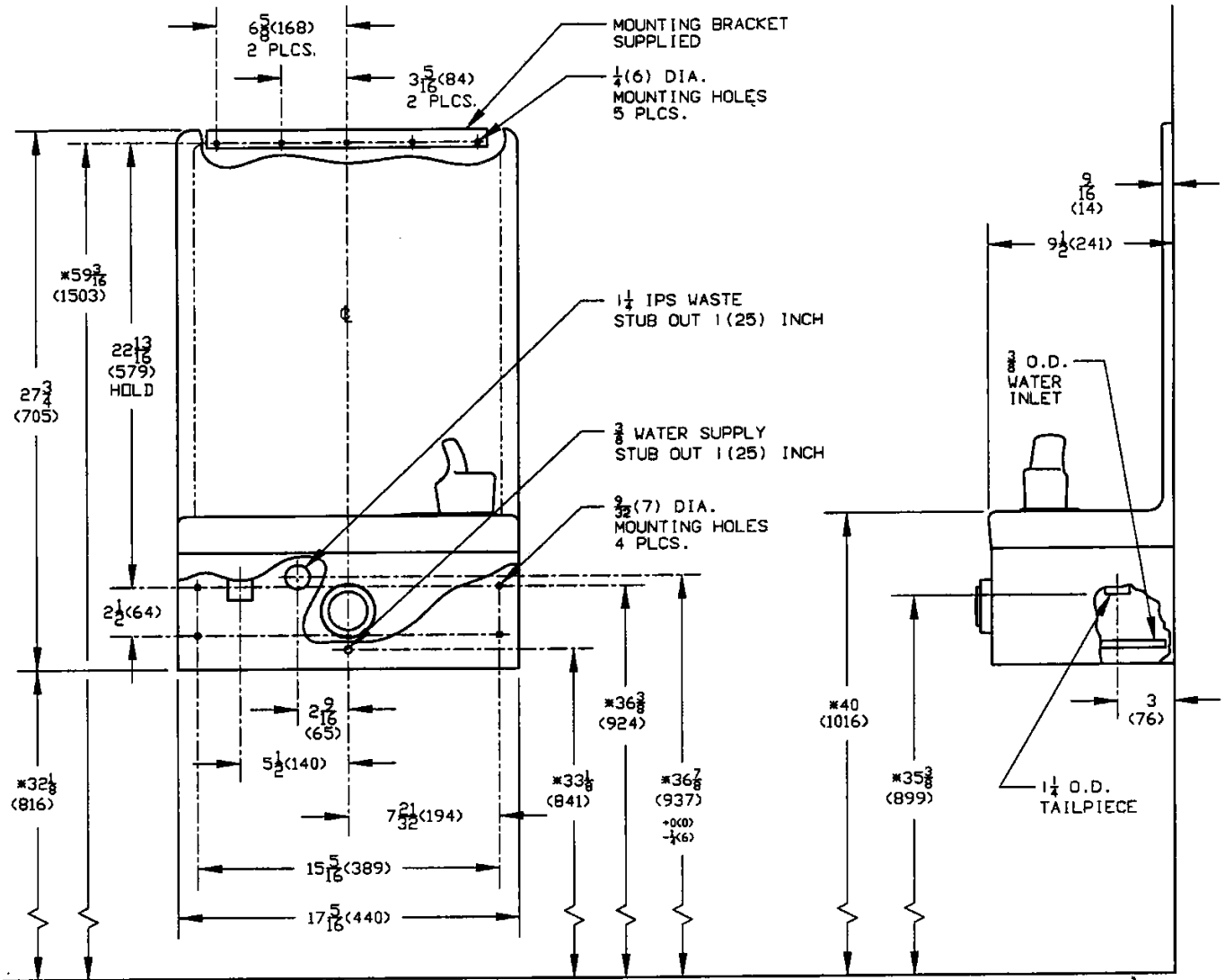
OASIS Corporation

265 North Hamilton Road ♦ PO Box 13150
Columbus, Ohio 43213-0150 U.S.A
1.800.646.2747

www.OasisWaterCoolers.com

Oasis® is a registered trademark of OASIS Corporation
 Specifications are subject to change without notice
 Copyright 1999 OASIS Corporation

OASIS Corporation
 265 North Hamilton Road ♦ PO Box 13150
 Columbus, Ohio 43213-0150 U.S.A.
 1.800.646.2747 ♦ www.OasisWaterCoolers.com



NOTES:

1. TRAP AND STOP VALVE NOT FURNISHED.
2. RECOMMENDED ADULT HEIGHT INSTALLATION SHOWN. ADJUST VERTICAL DIMENSIONS AS REQ'D TO COMPLY WITH FEDERAL, STATE & LOCAL CODES.
3. ALL DIMENSIONS ARE IN INCHES. DIMENSIONS IN PARENTHESES () ARE IN MILLIMETERS.

<p>THIRD ANGLE PROJECTION</p>	<p>ROUGHING-IN AND DIMENSIONAL DRAWING</p>
-------------------------------	----------------------------------------------------

Model FLF130PM